

**INSTRUCTION MANUAL
GUIDE D'UTILISATION
MANUAL DE INSTRUCCIONES**

INSTRUCTIVO DE OPERACIÓN, CENTROS DE SERVICIO Y PÓLIZA DE GARANTÍA. **ADVERTENCIA:** LÉASE ESTE INSTRUCTIVO ANTES DE USAR EL PRODUCTO.

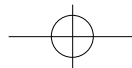


DEWALT®

DW624 Plunge Cut Router/DW625 Electronic Plunge Cut Router

DW624 Toupie à course plongeante/DW625 Toupie électronique à course plongeante

DW624 Rebajadora de columnas/DW625 Rebajadora electrónica de columnas



IF YOU HAVE ANY QUESTIONS OR COMMENTS ABOUT THIS, OR ANY DeWALT TOOL, CALL US TOLL FREE AT 1-800-4-DeWALT (1-800-433-9258).

Important Safety Instructions

WARNING: When using Electric Tools, basic safety precautions should always be followed to reduce the risk of fire, electric shock, and personal injury, including the following:

⚠ WARNING: Use of this tool can generate dust containing chemicals known to cause cancer, birth defects or other reproductive harm. Use appropriate respiratory protection.

⚠ CAUTION: Some wood contains preservatives such as copper chromium arsenate (CCA) which can be toxic. When cutting these materials extra care should be taken to avoid inhalation and minimize skin contact.

READ ALL INSTRUCTIONS.

- **KEEP WORK AREA CLEAN.** Cluttered areas and benches invite injuries
- **CONSIDER WORK AREA ENVIRONMENT.** Don't expose power tools to rain. Don't use power tools in damp or wet locations. Keep work area well lit.
- **GUARD AGAINST ELECTRIC SHOCK.** Prevent body contact with grounded surfaces. For example: pipes, radiators, ranges, refrigerator enclosures.
- **KEEP CHILDREN AWAY.** All visitors should be kept away from work area. Do not let visitors contact tool or extension cord.
- **STORE IDLE TOOLS.** When not in use, tools should be stored in dry, and high or locked-up place – out of reach of children.
- **DON'T FORCE TOOL.** It will do the job better and safer at the rate for which it was intended.

- **USE RIGHT TOOL.** Don't force small tool or attachment to do the job of a heavy-duty tool. Don't use tool for purpose not intended, for example, don't use circular saw for cutting tree limbs or logs.
- **DRESS PROPERLY.** Do not wear loose clothing or jewelry. They can be caught in moving parts. Non-skid footwear is recommended when working outdoors. Wear protective hair covering to contain long hair.
- **USE SAFETY GLASSES.** Also use face or dustmask if operation is dusty.
- **DON'T ABUSE CORD.** Never carry tool by cord or yank it to disconnect from receptacle. Keep cord from heat, oil, and sharp edges.
- **SECURE WORK.** Use clamps or a vise to hold work. It's safer than using your hand and it frees both hands to operate tool.
- **DON'T OVERREACH.** Keep proper footing and balance at all times.
- **MAINTAIN TOOLS WITH CARE.** Keep tools sharp and clean for better and safe performance. Follow instructions for lubricating and changing accessories. Inspect tool cords periodically and if damaged have repaired by DeWalt certified service center. Inspect extension cords periodically and replace if damaged. Keep handles dry, clean, and free from oil and grease.*
- **DISCONNECT TOOLS.** When not in use, before servicing, and when changing accessories.
- **REMOVE ADJUSTING KEYS AND WRENCHES.** Form habit of checking to see that keys and adjusting wrenches are removed from tool before turning it on.
- **AVOID UNINTENTIONAL STARTING.** Don't carry plugged-in tool with finger on switch. Be sure switch is off when plugging in.
- **EXTENSION CORDS.** Make sure your extension cord is in good condition. When using an extension cord, be sure to use

one heavy enough to carry the current your product will draw. An undersized cord will cause a drop in line voltage resulting in loss of power and overheating. The following table shows the correct size to use depending on cord length and nameplate ampere rating. If in doubt, use the next heavier gage. The smaller the gage number, the heavier the cord.

Recommended Minimum Wire Size for Extension Cords

Total Length of Cord						
25 ft.	50 ft.	75 ft.	100 ft.	125 ft.	150 ft.	175 ft.
7.6 m	15.2 m	22.9 m	30.5 m	38.1 m	45.7 m	53.3 m
Wire Size						
18 AWG	18 AWG	16 AWG	16 AWG	14 AWG	14 AWG	2 AWG

- **OUTDOOR USE EXTENSION CORDS.** When tool is used outdoors, use only extension cords intended for use outdoors and so marked.
- **STAY ALERT.** Watch what you are doing. Use common sense. Do not operate tool when you are tired.
- **CHECK DAMAGED PARTS.** Before further use of the tool, a guard or other part that is damaged should be carefully checked to determine that it will operate properly and perform its intended function. Check for alignment of moving parts, binding of moving parts, breakage of parts, mounting, and any other conditions that may affect its operation. A guard or other part that is damaged should be properly repaired or replaced by a DEWALT certified service center unless otherwise indicated elsewhere in this instruction manual. Have defective switches replaced by a DEWALT certified service center. Do not use tool if switch does not turn it on and off.
- **DO NOT OPERATE** portable electric tools near flammable liquids or in gaseous or explosive atmospheres. Motors in these tools normally spark, and the sparks might ignite fumes.

SAVE THESE INSTRUCTIONS FOR FUTURE USE.

Double Insulation

DOUBLE-INSULATED tools are constructed throughout with TWO separate "layers" of electrical insulation between you and the tool's electrical system.

Tools built with this insulation system are not intended to be grounded. As a result, your tool is equipped with a two-prong plug which permits you to use extension cords without concern for maintaining a ground connection.

NOTE: DOUBLE INSULATION does not take the place of normal safety precautions when operating this tool. The insulation system is for added protection against injury resulting from a possible electrical insulation failure within the tool.

CAUTION: When servicing all tools, USE ONLY IDENTICAL

Polarized Plugs

Polarized plugs (one blade is wider than the other) are used on equipment to reduce the risk of electric shock. When provided, this plug will fit into a polarized outlet only one way. If the plug does not fit fully into the outlet, reverse the plug. If it still does not fit, contact a qualified electrician to install the proper outlet. Do not change the plug in any way. **REPLACEMENT PARTS.** Repair or replace damaged cords.

Motor

Your DEWALT tool is powered by a DEWALT-built motor. Be sure your power supply agrees with the nameplate marking.

Volts 50/60 Hz or "AC only" means your tool must be operated only with alternating current and **never** with direct current. Volts DC-60Hz or AC/DC means your tool may be operated with either alternating or direct current.

Voltage decrease of more than 10% will cause loss of power and overheating. All DeWalt tools are factory tested; if this tool does not operate, check the power supply.

Additional Specific Instructions for Routers

The electronic motor control system has two basic features.

A. Soft start - when you turn on the router, you will notice that it does not have the jerk from the rapid acceleration of the motor. This router has a starting circuit which accelerates the motor up to speed smoothly, without jerking, and allows you to maintain easier control of the router during the start up period.

B. Constant speed cutting - as you load the router, the selected cutting speed does not slow down during normal use. The electronic control governs the motor and gives you a consistent finish to your work. Only under very heavy loading will the speed of the unit fall below the governed speed.

To set the router speed (from 8,000 rpm to 20,000 rpm) rotate the speed control wheel shown in the large figure on page 2. The higher the number the higher the speed. Consult TABLE 1 (page 3) to help select the proper speed for your application.

Specifications

PREPARATION FOR USE

The motor in this router is high-powered (750 Watts, max.). Despite this, it is advisable to cut deep grooves or remove large amounts of material in two or more passes.

Operating Instructions

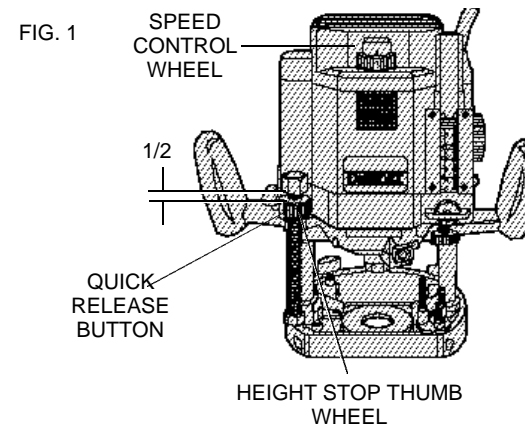
TURN OFF AND UNPLUG ROUTER

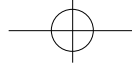
NOTE: Before installing a router bit in your unit, position the tool so that the collet is easily accessible. To do this, rotate the height stop thumb wheel, shown in Figure 1, counterclockwise until it is about 1/2" from the top of the threaded height stop rod. Raise the plunge

release lever, shown in Figure 2, and let the router rise to its full height. Depress the plunge release lever to lock the tool in place.

TECHNICAL DATA

Model	DW624, DW625
Voltage	120
Speed DW624	20,000 r.p.m.
Speed DW625	8,000- 20,000 r.p.m.
Insulation	double insulated
Column	spring loaded twin column
Plunging stroke	70mm (2-3/4")
Routing depth	0-70 mm adjustable
Cutter mounting	precision collet, size 1/2"-1/4"
Cutter cap	max. 63.5 mm (2-1/2")
Routing	(shallow)
Rotary depth stop	3 stage depth position





SPEED SELECTION CHART

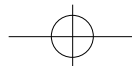
TABLE 1: RECOMMENDATION FOR THE CORRECT CHOICE OF SPEED

Material	Cutter Diam.	Electronic Control Settings				
		Stage 1 8,000 rpm	Stage 2 12,000 rpm	Stage 3 16,000 rpm	Stage 4 18,000 rpm	Stage 5 20,000 rpm
Model #DW624/DW625 Hardwood, e.g., oak	Small (1/2")	-	-	O	X	XX
	Medium (1/2"-1 1/8")	-	-	O	XX	X
	Large (over-1 1/8")	X	XX	O	-	-
Softwood, e.g., pine	Small (1/2")	-	-	O	X	XX
	Medium (1/2"-1 1/8")	-	O	X	XX	XX
	Large (over-1 1/8")	X	XX	O	O	-
Plastic-laminated chipboard	Small (1/2")	-	-	O	X	XX
	Medium (1/2"-1 1/8")	-	O	X	XX	XX
	Large (over-1 1/8")	O	XX	X	O	-
Plastics	Small (1/2")	-	O	X	X	XX
	Medium (1/2"-1 1/8")	-	O	XX	XX	X
	Large (over-1 1/8")	X	XX	O	-	-

This Table can serve only as a guide, since wood is a living material. Even with the same species of timber there will be large differences in hardness and density. When a high speed is employed, set the electronic control one step higher.

KEY: XX very good X good O Satisfactory - not recommended

English



Switch

TO SWITCH ON THE MACHINE

NOTE: Always pull the plug on the cord set out of its receptacle when changing a cutter or fitting the accessories in order to avoid any chance of an accident.

CONVENIENT SWITCH ACTUATOR PUSH UP FOR "ON" DOWN FOR "OFF".

Bit Installation and Removal

(TURN OFF AND UNPLUG ROUTER)

IMPORTANT NOTE: Always snap the collet firmly into the collet nut, (past the retainer spring) before installing a bit.

Use the supplied wrench and the spindle lock as necessary to loosen (counterclockwise) the collet nut, as shown in Figure 3.

Insert the round shank of the desired router bit into the loosened collet as far as it will go and then pull it out about 1/16". Hold the spindle shaft by depressing the spindle lock button, shown in Figure 3, while firmly tightening the collet nut with the wrench provided.

Your router has a unique locking system for retaining the bit. When removing a bit, the collet nut must be loosened with the wrench. The collet nut will turn approximately 3/4 of a turn and then become tight again. At this point the bit can't be removed. Using the same procedure, loosen the nut a second time. This lifts the collet and makes it very easy to remove the bit.

Collets

NEVER TIGHTEN THE COLLET ON THIS TOOL WITHOUT FIRST INSTALLING A ROUTER BIT IN IT. TIGHTENING AN EMPTY COLLET CAN DAMAGE THE COLLET.

To change collets, unscrew the collet assembly, as described above, sharply pull the old collet out of the collet nut and insert the new collet. Push firmly so that it snaps past the retainer spring in the collet nut.

Controls

NOTE: Before operating any of the controls, read this whole section.

PLUNGE RELEASE LEVER

The plunge release lever allows the router bit to be plunged directly into the workpiece. Simply raise the plunge release lever when you want to lower the router into the work, as shown in Figure 2. You can lower the unit until it reaches your preset stop. To lock the tool in place anywhere along its vertical travel, depress the lever.

HEIGHT STOP ROD AND HEIGHT STOP THUMB WHEEL

As its name implies, the height stop rod and thumb wheel limit how high the unit can travel up the rails. The system is adjustable from full down where the unit cannot rise regardless of the position of the plunge release lever to full up where the bottom of the collet is 2-7/8" above the workpiece (See Figure 4).

For convenience, the thumb wheel is equipped with a quick release button that allows you to disengage the threads for fast positioning by simply depressing the button in the side of the wheel.

NOTE: It is easier to move the height stop thumb wheel UP if the plunge release lever is locked and easier to move the thumb wheel DOWN if the unit is first moved down by releasing the plunge release lever and then tightening it.

MULTI-POSITION TURRET STOP

The turret stop limits the downward distance that the tool can be plunged. It consists of three screws of different lengths that serve to define the depth of cut by limiting the travel of the depth stop bar (see Figure 5). Routing depth can be set by selecting the screw of the appropriate length on the turret. The turret is rotatable with detent stops to properly align the screws.

It is the interaction of the depth stop bar and the turret stop that

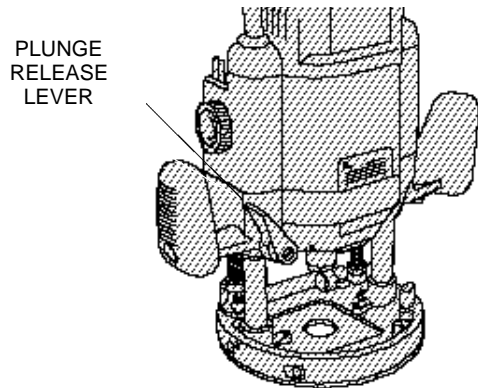


FIG. 2

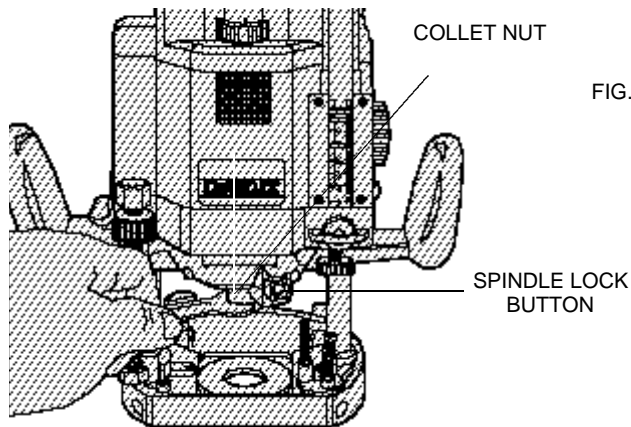


FIG. 3

determine the routing depth.

If none of the provided screws seems close to the desired height each can be adjusted by loosening the hex nut at the bottom and then turning the screw either in or out to make it the proper length. After adjusting this screw be sure to tighten the hex nut at the bottom. (See Figure 6)

See the section "Setting the Routing Depth" for instructions on how to use the turret stop in an actual operation.

DEPTH STOP BAR AND VERNIER

The depth stop bar is what contacts the selected screw in the turret stop to limit the routing depth. At the bottom of the depth stop bar is a threaded shaft, a spring and a knurled knob, as shown in Figure 7.

A precision vernier scale is provided for extremely accurate adjustment of the routing depth.

See the section below "Setting the Routing Depth" for instructions on how to use the depth stop bar and vernier in an actual operation.

Familiarization

Please take a little time now and, without plugging the tool in, practice with these adjustments and controls and become familiar with their operation. Only with a complete, "hands on" understanding of these systems will you be able to get the most out of this quality router.

Setting the Routing Depth (TURN OFF AND UNPLUG THE ROUTER)

To set the routing depth follow the steps below:

1. Install the desired router bit as described previously.
2. Position the height stop thumb wheel at the top of the height stop rod. (See Figure 4) You can either turn the thumb wheel or use the handy quick release button discussed above.
3. Adjust the depth stop bar to the top of its travel by rotating the

- Depth Stop Control Knob shown in Figure 9.
4. Rotate the turret stop to position the shortest screw under the depth stop bar.
 5. Raise the plunge release lever and push the router down until the end of the bit just touches the workpiece.
 6. Lower the depth stop bar until the knurled knob on the bottom of it touches the selected screw in the turret stop.
 7. Raise or lower the plastic vernier to align the hairline in the vernier with the 0 mark on the graduated scale, as shown in Figure 8.
 8. Using the depth stop control knob, raise the depth stop bar and align the desired mark on the graduated scale with the hairline in the vernier, as shown in Figure 9. (Scale graduated in 1/16ths of an inch)
 9. Tighten the depth stop bar clamp.
 10. The router is now set to cut to the set depth when plunged into the workpiece.

Fine Adjustment of Routing Depth

TURN OFF AND UNPLUG ROUTER.

If, after setting the desired depth of cut, a small adjustment is needed, it is not necessary to go through the entire procedure for setting the depth. Minor adjustment can be easily made by rotating the knurled knob on the bottom end of the depth stop bar, as shown in Figure 8.

Rotating the knob clockwise (looking down from the top of the router) will result in a more shallow cut. Rotating the knob counterclockwise will result in a deeper cut. One complete rotation of the knob represents about 1 mm in depth adjustment.

FIG. 4

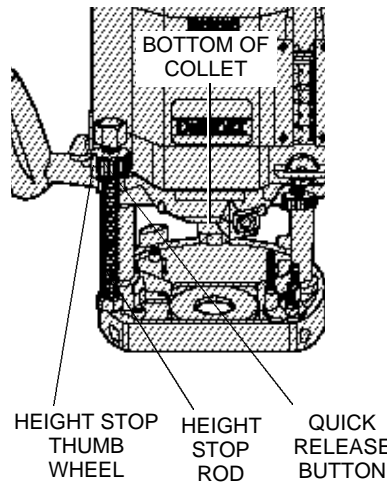


FIG. 5

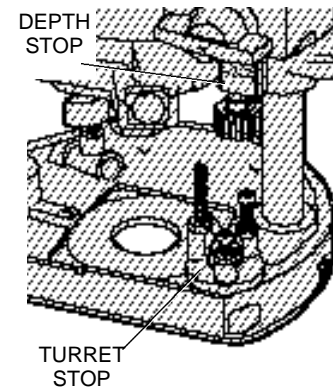


FIG. 6

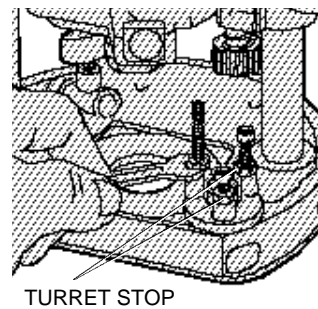
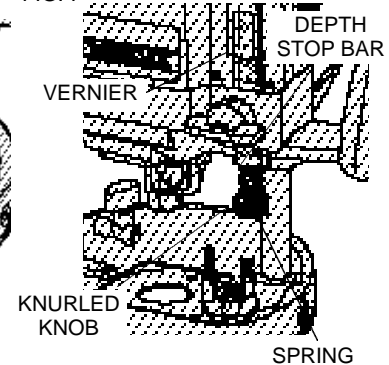


FIG. 7

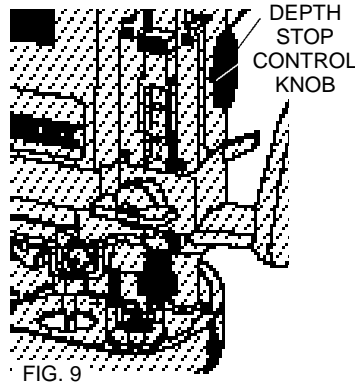
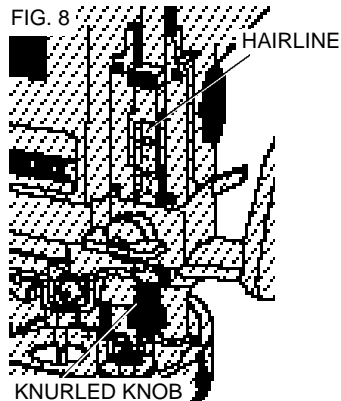


Using the Turret Stop for Sequential Routing Depth Settings

TURN OFF AND UNPLUG ROUTER.

It is recommended that particularly deep grooves be cut with several passes rather than one deep pass. In order to do this and still maintain accuracy of depth when the job is finished, perform the following procedure.

1. Set the final desired routing depth as instructed above. For the purpose of this discussion, assume that the desired depth is 1/2".
2. With a depth of 1/2" set on the shortest screw in the turret stop, adjust the second shortest screw to a point about halfway between the bottom of the knurled knob and the top of the shortest screw, as shown in Figure 10.
3. Leave the vernier setting alone and turn the adjusted second shortest screw into position under the depth stop bar.
4. Make your first cut at this setting.



5. Rotate the turret stop so that the shortest screw is directly under the depth stop bar and make your final cut.

NOTE: The third screw in the turret stop is provided if your cut is even deeper and you want to make three cuts to achieve the final depth, or set final depth for multiple cuts at one time.

Operation

After setting the cutting depth as described, locate the router such that the bit is directly over the place you will be cutting. With the router running, lower the unit smoothly down into the workpiece. (DO NOT JAM THE ROUTER DOWN). When the tool reaches the pre-set depth, depress the Plunge Lock Lever. When you have finished routing, raise the lever and let the spring lift the router directly out of the workpiece.

All common routing tasks can be performed with ease with the Plunge Cut Router: Grooving, rabbeting, recessing, veining, and profiling on all types of wood and plastic.

Always feed the router opposite to the direction in which the cutter is rotating.

Only carbide-tipped cutters should be used on panels faced with plastic laminates. The hard laminates will quickly dull steel cutters.

Your DeWalt certified Service center has a Router Craft Handbook available at extra cost which covers the use of routers in great detail and shows the various types of bits available.

Direction Of Feed (Fig. 12)

The direction of feed is very important when routing and can make the difference between a successful job and a ruined project. Figures 11 and 12 show proper direction of feed for some typical cuts.

Mold the outside edge of a piece of stock by a) mold the end grain, left to right, b) do the straight grain side moving left to right, c) finish the other end grain side, and d) do the remaining straight grain edge.

English

The direction of feed is important in router usage. Be sure the cutter is rotating into the stock by moving left to right on outside edges and clockwise on inside cuts.

Using the Parallel Guide (Fig. 15)

A parallel guide, available at extra cost, router will increase the versatility of your router. Assemble the guide as shown in Figure 18. When it's fully assembled, insert the two bars through the holes in the router base as shown in Figure 19. Adjust as needed for parallel routing.

The guide will adjust in all the way to the cutter. In some cases the plastic slides on the guide will interfere with the cutter if they are not loosened and pushed back to provide clearance. Simply loosen the two screws on each slide and adjust it accordingly.

A fine adjust feature is included on the parallel guide and is operated by rotating the fine adjust knob, shown in Figure 14. Turn the knob clockwise to move the guide in (closer to the bit). Turn the knob counterclockwise to move the guide out (away from the bit).

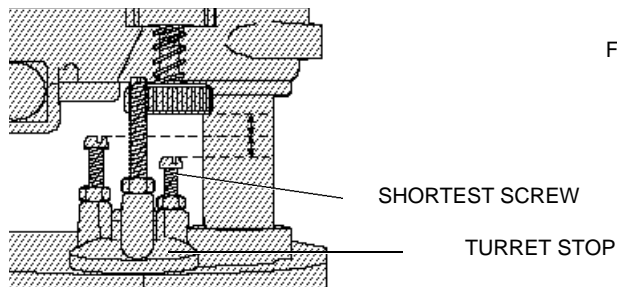


FIG. 10

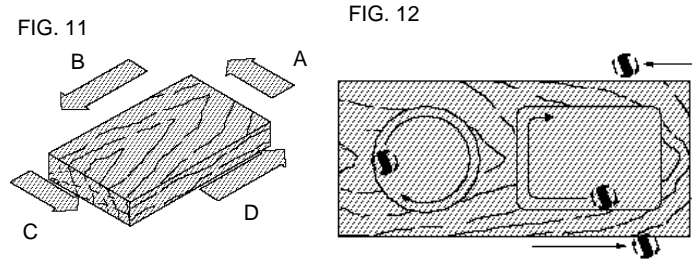


FIG. 11

FIG. 12

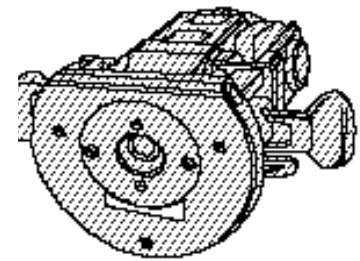


FIG. 13

ROUTER USING TEMPLATE AND GUIDE BUSHING

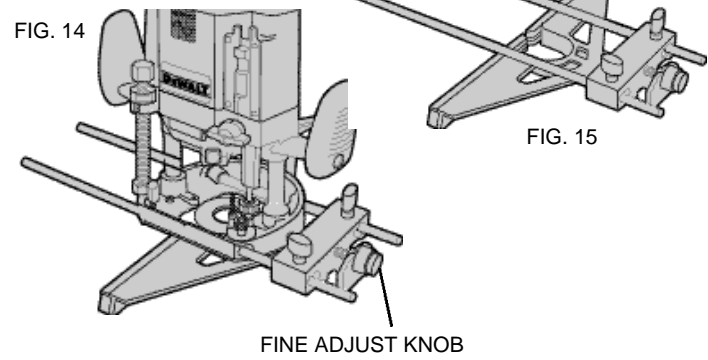
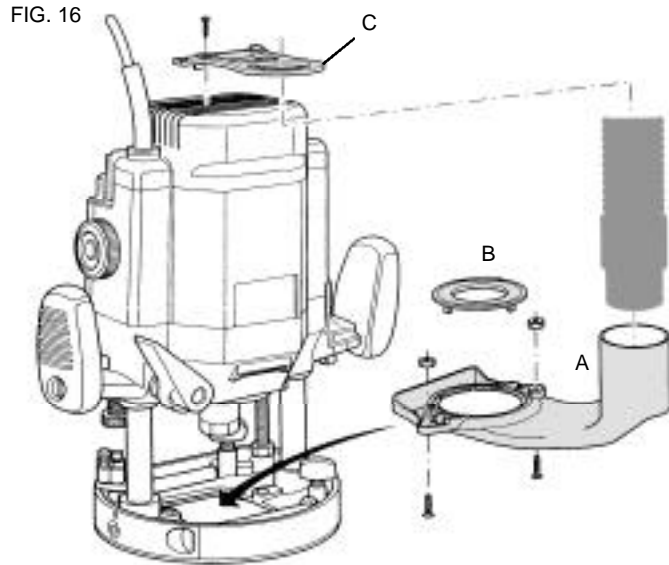


FIG. 14

FIG. 15

FINE ADJUST KNOB



Template Guide Adapter

Your router comes equipped with a template guide adapter and two mounting screws. Put these away in a safe place for future use.

Connecting a Dust Extractor (Fig 16)

The dust extractor adapter consists of the body (A), the cover (B), and the hose guide (C). Assemble as follows:

1. Slide the cover onto the main body and let it click into place.
2. Connect a dust extractor hose to the outlet.
3. Loosen the screw on the top cover of the router and secure the hose guide in place.

Accessories

If you need assistance in locating any accessory, please contact DEWALT Industrial Tool Co., 701 East Joppa Road, Baltimore, MD 21286 or call 1-800-4-DEWALT (1-800-433-9258).

⚠ CAUTION: The use of any other accessory might be hazardous.

Important

To assure product SAFETY and RELIABILITY, repairs, maintenance and adjustment (including brush inspection and replacement) should be performed by authorized service centers or other qualified service organizations, always using identical replacement parts.

Full Warranty

DEWALT heavy duty industrial tools are warranted for one year from date of purchase. We will repair, without charge, any defects due to faulty materials or workmanship. For warranty repair information, call 1-800-4-DEWALT. This warranty does not apply to accessories or damage caused where repairs have been made or attempted by others. This warranty gives you specific legal rights and you may have other rights which vary in certain states or provinces.

In addition to the warranty, DEWALT tools are covered by our:

30 DAY NO RISK SATISFACTION GUARANTEE

If you are not completely satisfied with the performance of your DEWALT heavy duty industrial tool, simply return it to the participating seller within 30 days for a full refund. Please return the complete unit, transportation prepaid. Proof of purchase may be required.

POUR TOUT RENSEIGNEMENT SUPPLÉMENTAIRE SUR CET OUTIL OU TOUT AUTRE OUTIL DeWALT, COMPOSER SANS FRAIS LE NUMÉRO :

1 800 4-DeWALT (1-800-433-9258)

Importantes mesures de sécurité

⚠ AVERTISSEMENT : Afin de réduire les risques d'incendie, de secousses électriques ou de blessures lorsqu'on utilise un outil électrique, il faut toujours respecter certaines règles de sécurité fondamentales, notamment les suivantes.

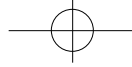
⚠ AVERTISSEMENT : L'utilisation de l'outil peut générer des poussières renfermant des produits chimiques qui peuvent causer le cancer, des malformations congénitales ou autre maladie congénitale. Se servir des appareils respiratoires protecteurs appropriés.

⚠ MISE EN GARDE : Certaines essences de bois renferment des agents de conservation (comme de l'arséniate de cuivre et de chrome) qui peuvent être toxiques. Lorsqu'on doit couper de tels matériaux, prendre des mesures supplémentaires afin d'éviter d'inhaler les vapeurs toxiques et de minimiser les contacts avec la peau.

LIRE TOUTES LES DIRECTIVES.

- **BIEN DÉGAGER LA SURFACE DE TRAVAIL.** Des surfaces et des établis encombrés peuvent être la cause de blessures.
- **TENIR COMPTE DU MILIEU DE TRAVAIL.** Protéger les outils électriques de la pluie. Ne pas s'en servir dans des endroits humides ou mouillés. Bien éclairer la surface de travail.
- **SE PROTÉGER CONTRE LES SECOUSSES ÉLECTRIQUES.** Éviter tout contact avec des objets mis à la terre, comme des tuyaux, radiateurs, cuisinières, réfrigérateurs et autres objets du genre.
- **ÉLOIGNER LES ENFANTS.** Tous les visiteurs doivent être tenus à l'écart de l'aire de travail et il faut les empêcher de toucher à l'outil ou au cordon de rallonge.

- **RANGER LES OUTILS INUTILISÉS.** Il faut ranger les outils dans un endroit sec, situé en hauteur ou fermé à clé, hors de la portée des enfants.
- **NE JAMAIS FORCER L'OUTIL.** Afin d'obtenir un rendement sûr et efficace, utiliser l'outil à son rendement nominal.
- **UTILISER L'OUTIL APPROPRIÉ.** Ne jamais exiger d'un petit outil ou d'un accessoire le rendement d'un outil de fabrication plus robuste. Se servir de l'outil selon l'usage prévu (par exemple, ne pas se servir d'une scie circulaire pour couper des branches d'arbres ou des bûches).
- **PORTER DES VÊTEMENTS APPROPRIÉS.** Éviter de porter des vêtements amples et des bijoux qui peuvent être happés par les pièces en mouvement. Porter des chaussures à semelle antidérapante pour travailler à l'extérieur. Protéger la chevelure si elle est longue.
- **PORTER DES LUNETTES DE SÉCURITÉ.** Porter également un masque respiratoire si le travail de coupe produit de la poussière.
- **NE PAS MANIPULER LE CORDON DE FAÇON ABUSIVE.** Ne pas transporter l'outil par le cordon ni tirer sur ce dernier pour le débrancher de la prise. Éloigner le cordon des sources de chaleur, des flaques d'huile et des arêtes tranchantes.
- **ASSUJETTIR LA PIÈCE.** Immobiliser la pièce à l'aide de brides ou d'un étai. On peut alors se servir des deux mains pour faire fonctionner l'outil, ce qui est plus sûr.
- **NE PAS DÉPASSER SA PORTÉE.** Toujours demeurer dans une position stable et garder son équilibre.
- **PRENDRE SOIN DES OUTILS.** Conserver les outils propres et affûtés pour qu'ils donnent un rendement supérieur et sûr. Suivre les directives concernant la lubrification et le remplacement des accessoires. Inspecter régulièrement le cordon de l'outil et le faire réparer au besoin à un atelier d'entretien DeWalt autorisé. Inspecter régulièrement les cordons de rallonge et les remplacer lorsqu'ils sont endommagés. S'assurer que les poignées sont toujours propres, sèches et libres de toute tache d'huile ou de graisse.
- **DÉBRANCHER LES OUTILS NON UTILISÉS.** Respecter cette mesure lorsqu'on ne se sert pas de l'outil, ou qu'on doit le réparer ou en changer un accessoire.
- **ENLEVER LES CLÉS DE RÉGLAGE.** Prendre l'habitude de vérifier si



les clés de réglage ont été retirées avant de faire démarrer l'outil.

- **ÉVITER LES DÉMARRAGES ACCIDENTELS.** Ne pas laisser le doigt sur l'interrupteur lorsqu'on transporte l'outil. S'assurer que l'interrupteur est à la position hors circuit lorsqu'on branche l'outil.
- **CORDONS DE RALLONGE.** S'assurer que le cordon de rallonge est en bon état. Lorsqu'on se sert d'un cordon de rallonge, s'assurer qu'il est de calibre approprié pour la tension nécessaire au fonctionnement de l'outil. L'utilisation d'un cordon de calibre inférieur occasionne une baisse de tension entraînant une perte de puissance et la surchauffe. Le tableau suivant indique le calibre approprié selon la longueur du cordon et les mentions de la plaque signalétique de l'outil. En cas de doute, utiliser un cordon de calibre supérieur. Le chiffre indiquant le calibre est inversement proportionnel au calibre du cordon.

Calibre minimal recommandé pour les cordons de rallonge

Longueur totale du cordon

25 pi	50 pi	75 pi	100 pi	125 pi	150 pi	175 pi
7,6 m	15,2 m	22,9 m	30,5 m	38,1 m	45,7 m	53,3 m

Calibre de fil

18 AWG	18 AWG	16 AWG	16 AWG	14 AWG	14 AWG	12 AWG
--------	--------	--------	--------	--------	--------	--------

- **CORDONS DE RALLONGE PRÉVUS POUR L'EXTÉRIEUR.** Lorsque l'outil est utilisé à l'extérieur, ne se servir que d'un cordon de rallonge conçu pour l'extérieur et portant la mention appropriée.
- **DEMEURER VIGILANT.** Travailler avec vigilance et faire preuve de bon sens. Ne pas se servir de l'outil lorsqu'on est fatigué.
- **VÉRIFIER LES PIÈCES ENDOMMAGÉES.** Avant de continuer à utiliser l'outil, il faut vérifier si le protecteur ou toute autre pièce endommagée remplit bien la fonction pour laquelle il a été prévu. Vérifier l'alignement et les attaches des pièces mobiles, le degré d'usure des pièces et leur montage, ainsi que tout autre facteur susceptible de nuire au bon fonctionnement de l'outil. Faire réparer ou remplacer toute pièce ou tout protecteur endommagé dans un centre de service DEWALT autorisé, sauf si le présent guide fait mention d'un avis contraire. Confier le remplacement de tout interrupteur défectueux à un centre de service DEWALT autorisé. Ne jamais se servir d'un outil dont l'interrupteur est défectueux.

- **NE PAS UTILISER** les outils portatifs électriques dans des endroits où l'atmosphère contient des vapeurs combustibles ou explosives. Les étincelles que produit le moteur en marche pourraient enflammer ces produits.

CONSERVER CES MESURES À TITRE DE RÉFÉRENCE.

Double isolation

Les outils à DOUBLE ISOLATION comportent DEUX couches distinctes d'isolant électrique qui protègent l'utilisateur contre les risques de blessures provenant du système électrique de l'outil

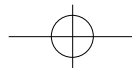
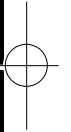
Ce système de double isolation élimine le besoin de mettre les outils à la terre. En effet, l'outil est muni d'une fiche à deux broches, ce qui permet d'utiliser une rallonge ordinaire sans avoir à se soucier d'assurer la mise à la terre.

NOTE : La DOUBLE ISOLATION ne dispense pas des mesures de sécurité normales lors de l'utilisation de l'outil. Elle vise à procurer une protection supplémentaire contre les blessures que peut entraîner une défectuosité de l'isolant électrique à l'intérieur de l'outil.

⚠ MISE EN GARDE : LORS DE L'ENTRETIEN, N'UTILISER QUE DES PIÈCES DE RECHANGE IDENTIQUES. Réparer ou remplacer les cordons endommagés.

Fiche polarisée

Afin de réduire les risques de secousses électriques, l'outil est muni d'une fiche polarisée (une lame plus large que l'autre). Ce genre de fiche n'entre que d'une façon dans une prise polarisée. Lorsqu'on ne peut insérer la fiche à fond dans la prise, il faut tenter de la faire après avoir inversé les lames de côté. Si la fiche n'entre toujours pas dans la prise, il faut communiquer avec un électricien certifié. Il ne faut pas modifier la fiche.



Moteur

La toupie DeWALT est actionnée par un moteur DeWALT. Veiller à ce que la tension d'alimentation soit conforme aux exigences de la plaque signalétique de l'outil.

La mention «volts 50 ou 60 Hz» ou « c.a. seulement» signifie qu'il faut utiliser du courant alternatif seulement, jamais du courant continu. La mention «volts c.c. 60 Hz» ou « c.a./c.c.» signifie qu'on peut utiliser du courant alternatif ou du courant continu.

Une baisse de tension de plus de 10 p. 100 entraîne une perte de puissance et la surchauffe. Tous les outils DeWALT sont essayés avant de quitter l'usine. Lorsque celui-ci refuse de fonctionner, vérifier la source de courant électrique.

Directives particulières aux toupies

La commande électronique du moteur consiste en deux fonctions de base.

A. Démarrage en douceur - Lorsqu'on met la toupie en marche, il n'y a pas de coups en raison de l'accélération rapide du moteur. Le circuit de démarrage de la toupie fait accélérer doucement le moteur jusqu'à l'obtention de la vitesse requise, sans donner de coups, ce qui facilite la maîtrise de l'outil au démarrage.

B. Régime constant - Lorsque la toupie fonctionne, elle ne ralentit pas sous la charge dans des conditions d'utilisation normales. La commande électronique régit le moteur et assure une finition uniforme du travail. La vitesse de l'outil diminue seulement sous des conditions d'utilisation très dures.

Pour régler la vitesse de la toupie (de 8 000 à 22 000 trs/min), faire tourner la tête moletée du contrôle de la vitesse illustrée sur la grande figure de la page 2. Plus le chiffre indiqué est élevé, plus la vitesse de l'outil est élevée. Consulter le tableau 1 (page 13) afin de déterminer la bonne vitesse pour l'utilisation de la toupie.

Fiche technique

PRÉPARATION EN VUE DE L'UTILISATION

Le moteur de la toupie est très puissant (750 watts max.). Il est toutefois recommandé de faire au moins deux passes pour découper des rainures profondes ou pour enlever une importante quantité de matériau.

Directives relatives au fonctionnement

METTRE LA TOUPIE HORS CIRCUIT ET LA DÉBRANCHER.

NOTE : Pour installer une mèche, il faut d'abord déposer l'outil de façon à accéder facilement au porte-mèche. Pour y arriver, faire tourner le limiteur de course à tête moletée (fig. 1) dans le sens antihoraire sur environ 1/2 po à partir du haut de la tige filetée du limiteur. Soulever le levier de dégagement de la course plongeante (fig. 2) et laisser monter la toupie au maximum. Abaisser le levier de dégagement de la course plongeante afin de verrouiller l'outil en place.

DONNÉES TECHNIQUES

Modèle	DW624, DW625
Tension	120 volts
Vitesse DW624	20 000 trs/min
Vitesse DW625	De 8 000 à 20 000 trs/min
Isolation	Double
Colonne	Double à ressort
Course plongeante	70 mm (2 3/4 po)
Profondeur de coupe	De 0 à 70 mm, réglable
Installation de la mèche	Porte-mèche de précision, de 1/2 po à 1/4 po
Mèche	63,5 mm max. (2 1/2 po)
Touillage	(peu profond)
Limiteur de profondeur rotatif	À trois positions

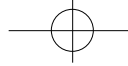
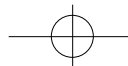


TABLEAU DU CHOIX DE VITESSE
TABLEAU 1 : VITESSE RECOMMANDÉE
 Diam. de la mèche Réglage de la commande électronique

Matériau Modèles DW624 et DW625	Niveau				
	Niveau 1 8 000 trs/min	Niveau 2 12 000 trs/min	Niveau 3 16 000 trs/min	Niveau 4 18 000 trs/min	Niveau 5 20 000 trs/min
Feuillus (chêne, p. ex.)					
Petite (1/2 po)	–	–	O	X	XX
Moyenne (de 1/2 po à 1 1/8 po)	–	–	O	XX	X
Large (plus de 1 1/8 po)	X	XX	O	–	–
Résineux (pin, p. ex.)					
Petite (1/2 po)	–	–	O	X	XX
Moyenne (de 1/2 po à 1 1/8 po)	–	O	X	XX	XX
Large (plus de 1 1/8 po)	X	XX	O	O	–
Panneau d'aggloméré					
Petite (1/2 po)	–	–	O	X	XX
Moyenne (de 1/2 po à 1 1/8 po)	–	O	X	XX	XX
Large (plus de 1 1/8 po)	O	XX	X	O	–
Plastiques					
Petite (1/2 po)	–	O	X	X	XX
Moyenne (de 1/2 po à 1 1/8 po)	–	O	XX	XX	X
Large (plus de 1 1/8 po)	X	XX	O	–	–

Le présent tableau ne sert que de guide puisqu'il peut y avoir des différences notoires même pour la même essence de bois en matière de dureté et de densité. Lorsqu'on coupe à vitesse élevée, régler la commande électronique à la prochaine vitesse plus élevée.

LÉGENDE : XX très bon X bon O satisfaisant -- non recommandé



Interrupteur

POUR METTRE LA TOUPIE EN MARCHÉ.

NOTE : Toujours débrancher l'outil avant d'en remplacer un accessoire afin d'éviter les risques d'accidents.

L'INTERRUPTEUR DES PLUS PRATIQUES SE POUSSE VERS LE HAUT POUR LA MISE EN MARCHÉ ET VERS LE BAS POUR L'ARRÊT.

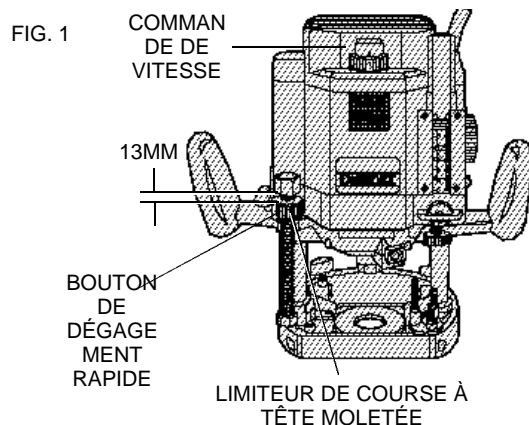
Installation et retrait des mèches

(METTRE LA TOUPIE HORS CIRCUIT ET LA DÉBRANCHER.)

NOTE IMPORTANTE : Toujours enclencher fermement le porte-mèche dans l'écrou (au-delà de la bague de retenue) avant d'installer la mèche.

Utiliser au besoin la clé fournie et le dispositif de verrouillage de l'arbre pour desserrer (dans le sens antihoraire) l'écrou du porte-mèche (fig. 3).

Insérer au maximum l'arbre rond de la mèche voulue dans le collet



lâche, puis la ressortir d'environ 2 mm (1/16 po). Retenir l'arbre de la toupie en enfonçant le bouton de verrouillage (fig. 3) et serrer fermement l'écrou du porte-mèche à l'aide de la clé.

La toupie est dotée d'un dispositif de verrouillage exclusif pour retenir les mèches. Lorsqu'on retire une mèche, il faut desserrer l'écrou du porte-mèche à l'aide de la clé. L'écrou du porte-mèche tourne d'environ 3/4 de tour, puis il se resserre. On ne peut alors plus retirer la mèche. Suivre de nouveau les consignes précédentes pour desserrer l'écrou du porte-mèche. On soulève de la sorte le porte-mèche et cela facilite le retrait de la mèche.

Porte-mèche

NE JAMAIS SERRER LE PORTE-MÈCHE DE L'OUTIL SANS Y AVOIR INSÉRÉ UNE MÈCHE AU PRÉALABLE. SINON, ON RISQUE D'ENDOMMAGER LE PORTE-MÈCHE.

Pour remplacer le porte-mèche, le dévisser de la façon décrite précédemment. Tirer d'un coup sec sur le porte-mèche pour le sortir de l'écrou et y insérer le nouveau porte-mèche. Bien pousser sur ce dernier jusqu'à ce qu'il s'enclenche au-delà de la bague de retenue de l'écrou du porte-mèche.

Commandes

NOTE : Bien lire toute la section qui suit avant d'utiliser les commandes de l'outil.

LEVIER DE DÉGAGEMENT DE LA COURSE PLONGEANTE

Ce levier permet d'enfoncer la mèche directement dans la pièce à ouvrir. Il suffit de soulever le levier pour abaisser la mèche dans le matériau (fig. 2). On peut abaisser l'outil jusqu'à la butée préétablie. Pour verrouiller l'outil à une certaine hauteur, il suffit d'abaisser le levier.

LIMITEUR DE COURSE À TIGE ET À TÊTE MOLETÉE

Comme son nom l'indique, ce dispositif limite le déplacement vertical de l'outil. Ce système se règle de la position complètement abaissée (d'où l'outil ne peut se soulever peu importe la position du levier de

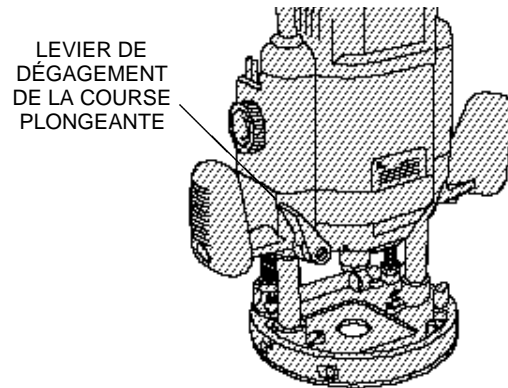


FIG. 2

dégagement de la course plongeante) à la position entièrement soulevée (où le bas de la mèche se trouve à 2 7/8 po de la pièce à ouvrir) (fig. 4).

Par souci de commodité, la tête moletée est dotée d'un bouton de dégagement rapide permettant de dégager le dispositif des filets de la tige afin de modifier rapidement la hauteur en appuyant sur le bouton situé sur le côté de la tête.

NOTE : Il est plus facile de déplacer la tête moletée vers le HAUT lorsque le levier est verrouillé et il est plus facile de la déplacer vers le BAS lorsqu'on place d'abord l'outil en position abaissée à l'aide du levier qu'on verrouille ensuite.

LIMITEUR À TOURELLE À NOMBREUSES POSITIONS

Le limiteur à tourelle restreint la distance en profondeur de l'outil. Il s'agit de trois vis de différentes longueurs servant à définir la profondeur de coupe en limitant la course de la tige de contrôle de la profondeur (fig. 5). On peut régler la profondeur de toupillage en choisissant la vis de la longueur appropriée. La tourelle tourne et elle est dotée de limiteurs de course à détente afin de bien aligner les vis.

L'interaction de la tige de contrôle de la profondeur et du limiteur à tourelle détermine la profondeur du toupillage.

Lorsque les vis ne sont pas de la longueur voulue, il est possible de régler chacune d'entre elles en desserrant l'écrou hexagonal du dessous et en enfonçant ou en sortant la vis à la longueur voulue. Après avoir réglé la vis, bien resserrer l'écrou hexagonal du dessous (fig. 6).

Consulter la rubrique sur le réglage de la profondeur pour savoir comment utiliser le limiteur à tourelle pendant les travaux réels.

COULISSE ET VERNIER DE CONTRÔLE DE LA PROFONDEUR

La coulisse de contrôle de la profondeur entre en contact avec la vis choisie du limiteur à tourelle pour restreindre la profondeur de toupillage. Au bas de la coulisse, il y a une tige filetée, un ressort et une tête moletée (fig. 7).

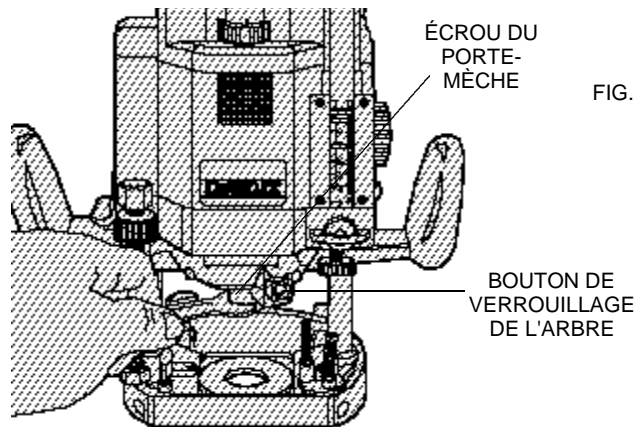


FIG. 3

L'outil est également doté d'une échelle à vernier de précision assurant le réglage exact de la profondeur.

Consulter la rubrique sur la profondeur de toupillage afin de savoir comment utiliser la coulisse et le vernier de contrôle de la profondeur.

Familiarisation

Prendre le temps qu'il faut pour pratiquer les réglages suivants, sans brancher l'outil, et pour se familiariser avec les commandes. Il faut faire quelques essais «à blanc» avant de tirer le meilleur de cet outil de qualité supérieure.

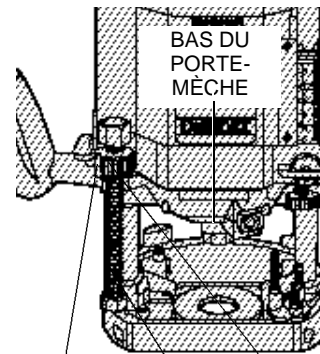
Réglage de la profondeur

(METTRE LA TOUPIE HORS CIRCUIT ET LA DÉBRANCHER.)

Faire ce qui suit pour régler la profondeur de coupe de la toupie.

1. Choisir la mèche voulue et l'installer de la façon décrite précédemment.
2. Placer le limiteur de course à tête moletée dans le haut de la tige (fig. 4). On peut faire tourner la tête moletée ou utiliser le bouton de dégagement rapide mentionné précédemment.
3. Régler la coulisse dans le haut de sa course en faisant tourner le bouton de contrôle du limiteur de profondeur (fig. 9).
4. Faire tourner le limiteur à tourelle jusqu'à ce que la plus courte des vis se trouve directement sous la coulisse du limiteur de profondeur.
5. Soulever le levier de dégagement de la course plongeante et abaisser la toupie jusqu'à ce que la mèche touche à peine la surface à ouvrir.
6. Abaisser la coulisse du limiteur de profondeur jusqu'à ce que la tête moletée sous la coulisse touche à la vis choisie du limiteur à tourelle.
7. Soulever ou abaisser le vernier en plastique de façon à aligner la ligne fine du vernier sur la marque 0 de l'échelle graduée (fig. 8).
8. Utiliser le bouton de contrôle de la profondeur pour soulever la

FIG. 4

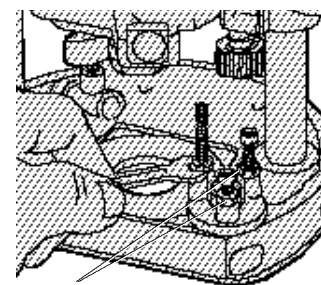


LIMITEUR DE COURSE À TÊTE MOLETÉE

LIMITEUR DE COURSE

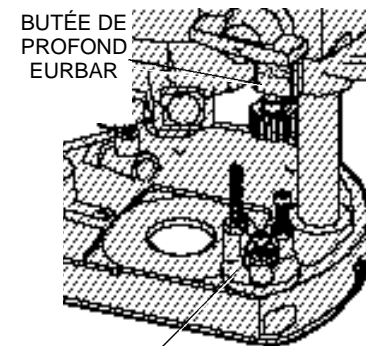
BOUTON DE DÉGAGEMENT RAPIDE

FIG. 6



LIMITEUR À TOURELLE

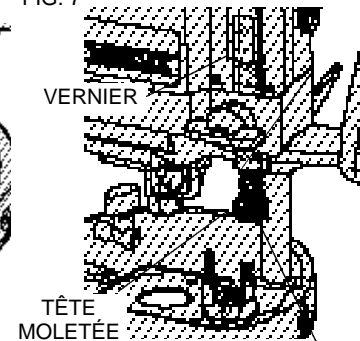
FIG. 5



BUTÉE DE PROFONDEUR

LEVIER DE DÉGAGEMENT DE LA COURSE PLONGEANTE

FIG. 7

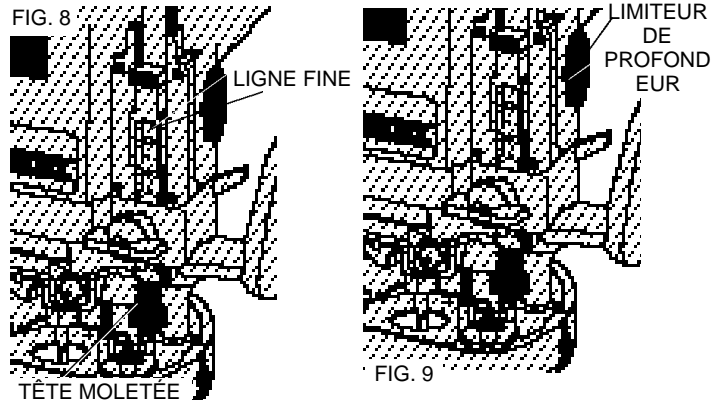


COULISSE DE CONTRÔLE DE LA PROFONDEUR

VERNIER

TÊTE MOLETÉE

RESSORT



coulisse et l'aligner sur la marque voulue de l'échelle graduée grâce à la ligne fine du vernier (fig. 9). (L'échelle est graduée en multiples de 1/16 po.)

9. Serrer la bride de serrage de la coulisse du limiteur de profondeur.
10. La toupie est maintenant réglée pour toupiller à la profondeur établie lorsqu'on la plonge dans la pièce à ouvrir.

Réglage précis de la profondeur de toupillage

METTRE LA TOUPIE HORS CIRCUIT ET LA DÉBRANCHER.

Lorsqu'il faut effectuer un réglage minime après avoir réglé la profondeur de coupe, il n'est pas nécessaire de repasser toutes les étapes relatives au réglage de la profondeur. Il suffit de faire tourner la tête moletée qui se trouve au bas de la coulisse (fig. 8).

Lorsqu'on le tourne dans le sens horaire (en se plaçant au-dessus de la toupie), la coupe est peu profonde. Lorsqu'on le tourne dans le sens antihoraire, la coupe est plus profonde. Un tour complet de la tête équivaut à un réglage de profondeur d'environ 1 mm.

Réglage séquentiel de la profondeur METTRE LA TOUPIE HORS CIRCUIT ET LA DÉBRANCHER.

Il est conseillé de toupiller en plusieurs passes les rainures profondes. Pour ce faire et pour maintenir la précision de la profondeur de coupe, il suffit de faire comme suit.

1. Régler de la façon décrite précédemment la profondeur finale de la coupe. Pour l'exemple, supposons qu'il s'agit de 1/2 po.
2. Régler la profondeur de 1/2 po à la plus courte des vis du limiteur à tourelle. Régler la vis moyenne à une valeur à mi-chemin entre le bas de la tête moletée et le haut de la courte vis (fig. 10).
3. Ne pas tenir compte de l'échelle à vernier et placer la vis moyenne réglée sous la coulisse du limiteur de profondeur.
4. Effectuer la première passe à ce réglage.
5. Faire tourner le limiteur à tourelle de sorte que la courte vis se trouve sous la coulisse du limiteur de profondeur et effectuer la dernière passe.

NOTE : La troisième vis du limiteur à tourelle est utilisée pour effectuer des coupes encore plus profondes en trois passes ou pour régler la profondeur finale de nombreuses coupes faites en une seule fois.

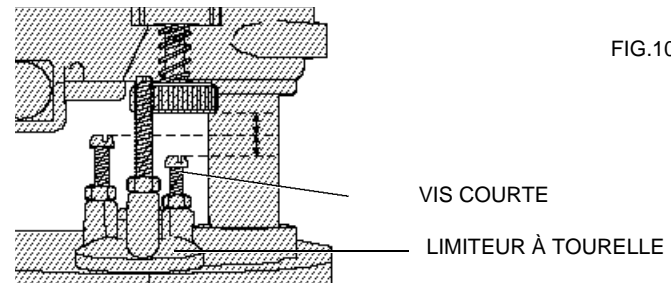


FIG.10

Fonctionnement

Après avoir réglé la profondeur de coupe de la façon décrite précédemment, placer la toupie de sorte que la mèche se trouve directement au-dessus de l'endroit à découper. Lorsque la toupie est en marche, l'abaisser doucement dans la pièce à ouvrir. (NE PAS LA DESCENDRE BRUSQUEMENT.) Lorsque l'outil atteint la profondeur prédéterminée, abaisser le levier de dégagement de la course plongeante. À la fin des travaux, soulever le levier et laisser le ressort soulever la toupie directement hors de la pièce.

La toupie effectue facilement la plupart des tâches habituelles : rainures, feuillures, veinures et moulures dans tous les types de bois et dans le plastique.

Toujours faire avancer la toupie dans le sens opposé à celui du fonctionnement de la mèche.

Utiliser seulement des mèches à pointes de carbure pour découper des panneaux recouverts de plastique. En effet, les plastiques durs émoussent rapidement les couteaux en acier.

On peut se procurer séparément un guide de toupillage au centre de service certifié DeWalt. Ce guide traite en détail de l'utilisation des toupies et il montre les différents types de mèches sur le marché.

Sens de l'alimentation (Fig. 12)

Le sens de l'alimentation est très important lorsqu'on utilise une toupie. C'est ce qui fait la différence entre un travail bien fait ou un projet ruiné. Les figures 11 et 12 montrent le bon sens d'alimentation de la toupie pour certains travaux typiques.

Pour mouler l'extérieur d'une pièce, il faut faire ce qui suit : a) ouvrir le grain de bout de gauche à droite, b) travailler le grain droit de gauche à droite, c) faire l'autre grain de bout, et d) finir par le dernier côté droit.

Le sens d'alimentation est essentiel au bon fonctionnement de la toupie. S'assurer que le couteau tourne de gauche à droite sur les rebords et dans le sens horaire, pour les coupes intérieures.

FIG. 11

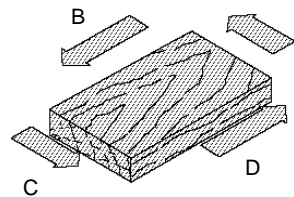


FIG. 12

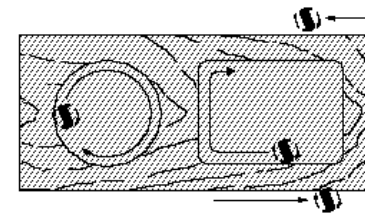
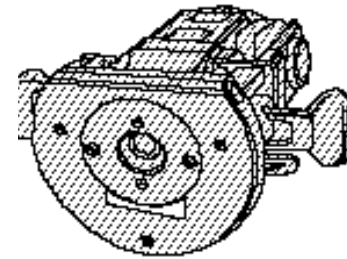
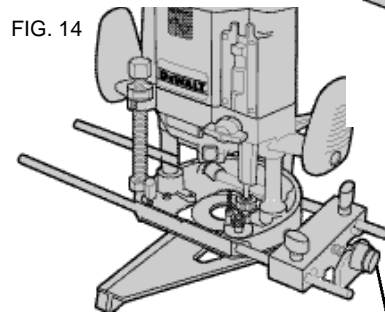


FIG. 13



TOUPIE AVEC GABARIT ET GUIDE-GABARIT

FIG. 14



TÊTE MOLETÉE DE RÉGLAGE DE PRÉCISION

FIG. 15

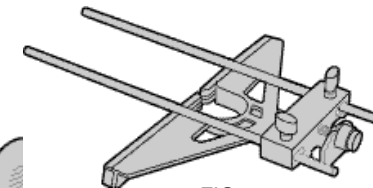
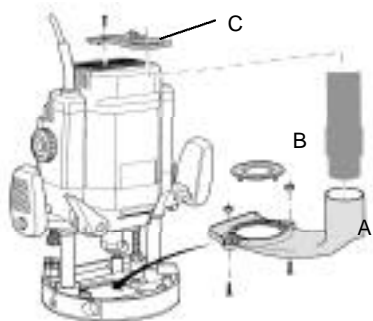


FIG. 16



Utilisation du guide parallèle (Fig. 15)

Monter le guide de la façon illustrée à la figure 14. Lorsqu'il est monté, insérer les deux tiges dans les trous du socle de la toupie. Régler au besoin pour toupiller en parallèle.

Le guide de règle jusqu'à la mèche. Dans certains cas, les côtés en plastique du guide nuisent au fonctionnement de la mèche. Il faut alors les desserrer et les pousser vers l'arrière afin d'obtenir le jeu nécessaire. Il suffit de desserrer les deux vis de chaque coulisse et de les régler en conséquence.

Le guide parallèle comporte un dispositif de réglage de précision. On s'en sert en faisant tourner la tête moletée de réglage de précision (fig. 14). Faire tourner la tête moletée dans le sens horaire pour déplacer le guide vers l'intérieur (près de la mèche). Faire tourner la tête moletée dans le sens antihoraire pour déplacer le guide vers l'extérieur (loin de la mèche).

Adaptateur pour guide-toupie

L'emballage comprend un adaptateur pour guide-toupie et deux vis de montage. Les ranger dans un endroit sûr lorsqu'on ne s'en sert pas.

Raccord à un dépoussiéreur (Fig. 16)

L'adaptateur du dépoussiéreur comporte un corps (A), un couvercle (B) et un guide-boyau (C). Monter comme suit.

1. Faire glisser le couvercle sur le corps et le laisser s'enclencher en place.
2. Raccorder le boyau d'un dépoussiéreur à l'orifice.
3. Desserrer la vis sur le dessus du couvercle de la toupie et fixer le guide-boyau en place.

Accessoires

Les accessoires recommandés pour l'outil sont vendus aux centres de service. La liste complète des centres de service se trouve sur la carte d'enregistrement du propriétaire dans l'emballage.

Pour trouver un accessoire, communiquer avec : DeWALT Industrial Tool Co., 701 East Joppa Road, Baltimore, MD 21286, É.-U. ou composer le 1 (800) 4-DEWALT (1 (800) 433-9258).

MISE EN GARDE :L'utilisation de tout autre accessoire peut être dangereuse.

Important

Pour assurer la SÉCURITÉ D'EMPLOI et la FIABILITÉ de l'outil, n'en confier la réparation, l'entretien et les rajustements (y compris l'inspection et le remplacement des balais) qu'à un centre de service ou à un atelier d'entretien autorisé n'utilisant que des pièces de rechange identiques.

Garantie complète

Les outils industriels de service intensif DEWALT sont garantis pendant un an à partir de la date d'achat. Toute pièce d'un outil DEWALT qui s'avérerait défectueuse en raison d'un vice de matière ou de fabrication sera réparée ou remplacée sans frais. Pour obtenir de plus amples renseignements sur les réparations couvertes par la garantie, composer le 1 (800) 4- DEWALT (1 (800) 433-9258). La garantie ne couvre pas les accessoires ni les réparations tentées ou effectuées par des tiers. Les modalités de la présente garantie donnent des droits légaux spécifiques. L'utilisateur peut également

Instrucciones importantes de seguridad

⚠️ ADVERTENCIA: Siempre que use herramientas eléctricas, debe seguir ciertas precauciones básicas de seguridad con el fin de reducir el riesgo de incendios, choque eléctrico y lesiones personales, entre las que se encuentran las siguientes:

⚠️ El uso de esta herramienta puede generar polvo con contenido de químicos que se sabe pueden causar cáncer, defectos congénitos u otros daños reproductivos. Utilice la protección respiratoria adecuada.

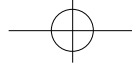
⚠️ **PRECAUCION:** Algunos tipos de madera contienen conservadores como el arsenato cúprico de cromo (CCA) que pueden ser tóxico. Cuando corte estos materiales debe tener mucho cuidado para evitar la inhalación de estas sustancias y minimizar su contacto con la piel.

LEA TODAS LAS INSTRUCCIONES.

- **CONSERVE LIMPIA LA ZONA DE TRABAJO.** Las superficies y los bancos con objetos acumulados en desorden propician los accidentes.
- **OTORGUE PRIORIDAD AL AMBIENTE DE TRABAJO.** No deje las herramientas eléctricas expuestas a la lluvia. No las utilice en lugares inundados o mojados. Conserve bien iluminada la zona de trabajo.
- **PROTEJASE CONTRA EL CHOQUE ELECTRICO.** Evite el contacto corporal con superficies aterrizadas, por ejemplo, tuberías, radiadores, antenas y gabinetes de refrigeración.
- **CONSERVE APARTADOS A LOS NIÑOS.** Los visitantes deben estar alejados del área de trabajo. No permita que los visitantes toquen las herramientas o los cables de extensión.
- **GUARDE LAS HERRAMIENTAS QUE NO EMPLEE.** Las herramientas que no se están utilizando deben guardarse en un lugar seco y elevado o bajo llave, fuera del alcance de los niños.
- **NO FUERCE LA HERRAMIENTA.** Esta cumplirá su función mejor y con más seguridad bajo las especificaciones para las que se diseñó.
- **EMPLEE LA HERRAMIENTA ADECUADA.** No fuerce a una herramienta pequeña o a sus dispositivos de montaje en un trabajo de

tipo pesado. No emplee la herramienta en una tarea para la que no se diseñó; por ejemplo, no recurra a una sierra circular para cortar ramas o troncos de árbol.

- **VISTASE DE LA MANERA ADECUADA.** No tenga puestas ropas o artículos de joyería flojos, pues podrían quedar atrapados por las partes móviles de las herramientas. Se recomienda el empleo de guantes de caucho y calzado antiderrapante cuando se trabaja al aire libre. Cúbrase bien la cabeza para sujetarse el pelo si lo tiene largo.
- **COLOQUESE ANTEOJOS DE SEGURIDAD.** Póngase también una mascarilla contra el polvo si lo produce la operación de corte que va a efectuar.
- **NO MALTRATE EL CABLE.** Nunca levante la herramienta por el cordón ni tire de éste para desconectarlo del enchufe. Apártelo del calor y los objetos calientes, las sustancias grasosas y los bordes cortantes.
- **SUJETE LOS OBJETOS SOBRE LOS QUE TRABAJE.** Utilice prensas o tornillos de banco para sujetar bien los objetos sobre los que va a trabajar. Esto ofrece mayor seguridad que sujetar los objetos con la mano, y además deja libres ambas manos para operar la herramienta.
- **NO SE SOBREETIENDA.** Conserve en todo momento bien apoyados los pies, lo mismo que el equilibrio.
- **CUIDE SUS HERRAMIENTAS.** Conserve sus herramientas bien afiladas y limpias para que funcionen mejor y con mayor seguridad. Obedezca las instrucciones de lubricación y cambio de accesorios. Inspeccione los cables con frecuencia y, si los encuentra dañados, hágalos cambiar o reparar en un centro de servicio autorizado. Revise también con frecuencia las extensiones eléctricas y reemplácelas si están dañadas. Conserve los mangos secos, limpios y libres de aceites y grasas.*
- **DESCONECTE LAS HERRAMIENTAS.** Cuando no las emplee, antes de darles servicio y cuando vaya a cambiarles accesorios.
- **RETIRE LAS LLAVES DE AJUSTE Y DE TUERCAS.** Adquiera el hábito de asegurarse de que se han retirado las llaves de ajuste de la herramienta antes de accionarla.
- **EVITE QUE LA HERRAMIENTA SE ACCIONE ACCIDENTALMENTE.** Nunca sostenga una herramienta con el dedo en el interruptor. Asegúrese que el interruptor está en la posición de apagado antes de conectarla.



- **CABLES DE EXTENSION.** Asegúrese que su extensión esté en buenas condiciones. Cuando utilice una extensión, asegúrese de emplear una con el calibre suficiente para soportar la corriente necesaria para su producto. Una extensión con calibre menor al necesario causará una caída en el voltaje de la línea, resultando en pérdida de potencia y sobrecalentamiento. El cuadro siguiente muestra los calibres correctos para usarse de acuerdo con la longitud de la extensión y el amperaje especificado. Si tiene dudas, utilice el calibre siguiente, más pesado. Cuanto más pequeño el número de calibre del alambre, mayor la capacidad del cable.

Calibre mínimo recomendado para cables de extensión

Longitud total de la extensión

25 ft.	50 ft.	75 ft.	100 ft.	125 ft.	150 ft.	175 ft.
7.6 m	15.2 m	22.9 m	30.5 m	38.1 m	45.7 m	53.3 m

Calibre del cable

18 AWG 18 AWG 16 AWG 16 AWG 14 AWG 14 AWG 2 AWG

- **CABLES DE EXTENSION PARA TRABAJOS A LA INTEMPERIE.** Cuando trabaje a la intemperie, utilice siempre extensiones diseñadas exclusivamente para esta finalidad.
- **ESTE ALERTA.** Concéntrese en lo que está haciendo. Recorra al sentido común. No opere ninguna herramienta si se encuentra fatigado.
- **REVISE LAS PARTES DAÑADAS.** Antes de seguir empleando la herramienta, es indispensable verificar con mucho cuidado que las guardas u otras partes dañadas puedan operar de la manera adecuada para cumplir con su función. Verifique la alineación de las partes móviles, la firmeza con que deben encontrarse sujetas en sus montaduras, las partes rotas, las propias montaduras y cualesquiera otros detalles que pudieran afectar a la operación de la herramienta. Las guardas y las otras partes que se encuentren dañadas deberán repararse bien o cambiarse en un centro de servicio DeWalt, a menos que se diga otra cosa en el manual del usuario. Haga que se cambien los

interruptores dañados en un centro de servicio DeWalt certificado. No emplee ninguna herramienta que tenga inutilizado o estropeado el interruptor.

- **NO OPERE** herramientas eléctricas portátiles cerca de líquidos inflamables o en atmósferas gaseosas o explosivas. Los motores de estas herramientas producen chispas en condiciones normales, y estas chispas pueden originar la ignición de los vapores.

CONSERVE ESTAS INSTRUCCIONES PARA REFERENCIAS FUTURAS

Doble aislamiento

Las herramientas con DOBLE AISLAMIENTO se han construido de manera integral con dos "capas" separadas de aislamiento eléctrico entre usted y el sistema eléctrico que contienen.

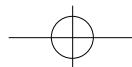
Las herramientas elaboradas con este sistema de aislamiento no requieren conectarse a tierra. Como resultado, su unidad está equipada con una clavija de dos patas que le permite emplear cordones de extensión sin preocuparse por tener una conexión a tierra.

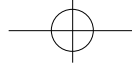
NOTA: EI DOBLE AISLAMIENTO no substituye a las precauciones normales de seguridad cuando se opera esta herramienta. La finalidad de este sistema de aislamiento es ofrecer a usted protección añadida contra la lesión resultante de fallas en el aislamiento eléctrico interno de la unidad.

PRECAUCION: UTILICE SOLAMENTE REFACCIONES IDENTICAS cuando se haga servicio a cualquier herramienta. Repare o reemplace los cables dañados.

Clavijas polarizadas

Se emplean clavijas polarizadas (con una pata más ancha que la





otra) para reducir el riesgo de choque eléctrico. Estas clavijas se ajustan a las tomas de corriente de una sola manera. Si la clavija no se acopla completamente en la toma, invírtala. Si aún así no se ajusta, contacte a un electricista calificado para que le instale el contacto adecuado. No modifique la clavija en ninguna manera.

Motor

Su herramienta DeWALT cuenta con un motor DeWALT integral. Asegúrese que el voltaje de su toma de corriente concuerde con las especificaciones de la placa de la unidad.

Volts 50/60 Hz o "AC only" significa que su herramienta debe operarse únicamente con corriente alterna, jamás con corriente directa. Volts DC-60 Hz o Volts AC/DC indican que su herramienta puede operarse con corriente alterna o con corriente continua.

Las disminuciones del voltaje mayores de 10% harán que la herramienta pierda potencia y se sobrecaliente. Todas las herramientas DeWALT se han probado en fábrica; si ésta no operara, verifique la toma de corriente del sitio en que la opera.

Instrucciones adicionales específicas para rebajadoras

El sistema de control electrónico del motor cuenta con dos características básicas.

- A. Encendido suave - cuando usted encienda la rebajadora, notará que no sufre el jaloneo debido a la rápida aceleración del motor. Esta rebajadora cuenta con un circuito de encendido que acelera el motor con suavidad, sin jalones, y le permite conservar el control más fácilmente durante el periodo de arranque.
- B. Velocidad de corte constante - al aplicar carga a la rebajadora, la velocidad de corte no se reducirá durante el uso normal. El control electrónico gobierna al motor y le permitirá obtener un acabado consistente en su pieza de trabajo. La velocidad se reducirá solamente bajo cargas muy pesadas.

Para ajustar la velocidad de la rebajadora (de 8,000 a 20,000 rpm)

gire la perilla de control de velocidad que se muestra en la figura grande de la página 2. Mientras mayor sea el número, mayor será la velocidad. Consulte la TABLA 1 (pg. 24) para ayudarse a seleccionar la velocidad apropiada para su aplicación.

Especificaciones

PREPARACION

El motor de esta rebajadora es de alta potencia (750 Watts, max.). A pesar de esto, es recomendable cortar canales profundos o remover grandes cantidades de material en dos o más pasadas.

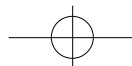
Instrucciones de operación

APAGUE Y DESCONECTE LA REBAJADORA

NOTA: Antes de instalar una cuchilla en su rebajadora, coloque la unidad de tal manera que la boquilla quede fácilmente accesible. Para hacer esto, gire el anillo de tope de altura, mostrado en la Figura 1, en sentido contrario a las manecillas del reloj hasta quedar aproximadamente a 13 mm (1/2") del extremo de la varilla de tope de profundidad con cuerda. Levante la palanca liberadora de las columnas, mostrada en la Figura 2 y permita que la rebajadora se eleve a su altura máxima. Oprima la palanca de liberación de las columnas para asegurar la herramienta en su lugar.

DATOS TECNICOS

Modelo	DW624, DW625
Tensión de alimentación	120
Velocidad DW624	20,000 r.p.m.
Velocidad DW625	8,000- 20,000 r.p.m.
Aislamiento	doble aislamiento
Columna	columnas gemelas con muelles
Carrera de penetración	70 mm (2-3/4")
Profundidad de corte	ajustable de 0 a 70 mm
Montaje de cuchillas	boquilla de precisión, 12,7 mm - 6,3 mm (1/2"-1/4")
Tapa de cuchilla	máx. 63,5 mm (2-1/2")
Rebajado	superficial



Tope de profundidad rotativo Posición de 3 pasos

Interruptor

PARA ENCENDER LA HERRAMIENTA

NOTA: siempre desconecte la clavija del cordón eléctrico de la toma de corriente cuando vaya a cambiar una cuchilla o un accesorio para evitar cualquier posibilidad de accidentes.

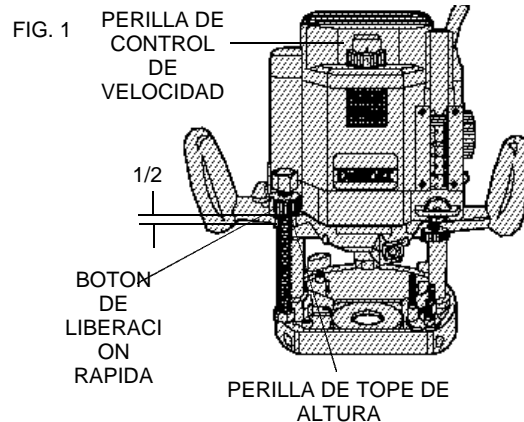
EMPUJE EL INTERRUPTOR HACIA ARRIBA PARA "ENCENDER" Y HACIA ABAJO PARA "APAGAR."

Instalación y remoción de cuchillas

(APAGUE Y DESCONECTE LA REBAJADORA)

NOTA IMPORTANTE: Siempre coloque la boquilla con firmeza en la tuerca de la boquilla, (pasando el retén del muelle) antes de instalar una cuchilla.

Oprima el botón de seguro de la flecha y utilice la llave suministrada para aflojar (en sentido contrario a las manecillas del reloj) la tuerca de la boquilla, como se muestra en la Figura 3.



Inserte el vástago cilíndrico de la cuchilla que desee tanto como sea posible en la boquilla una vez aflojada, a continuación tire de la cuchilla aproximadamente 1,5 mm (1/16"). Sujete la flecha mientras oprime el seguro al tiempo que aprieta firmemente tuerca de la boquilla con la llave proporcionada, como se observa en la Figura 3.

Su rebajadora cuenta con un sistema único que le permite asegurarla para retener la cuchilla. Cuando quite una cuchilla, la tuerca de la boquilla debe aflojarse con la llave. La tuerca de la boquilla girará aproximadamente 3/4 de vuelta y se apretará otra vez. En este punto la cuchilla no puede removerse. Con el mismo procedimiento, afloje la tuerca por segunda vez. Esto levantará la boquilla y hará muy fácil la remoción de la cuchilla.

Boquillas

NUNCA APRIETE LA BOQUILLA DE ESTA HERRAMIENTA SIN ANTES HABER INSTALADO UNA CUCHILLA. APRETAR UNA BOQUILLA VACIA PUEDE DAÑARLA.

Para cambiar boquillas, destornille el montaje de la boquilla, como se describió anteriormente, tire con fuerza de la boquilla vieja hacia afuera de la tuerca e inserte la boquilla nueva. Empuje con firmeza para que ajuste después de librar el muelle del retén de la tuerca de la boquilla.

Controles

NOTA: Antes de operar cualquiera de los controles, lea esta sección completa.

PALANCA DE LIBERACION DEL MECANISMO DE PENETRACION

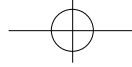
La palanca de liberación del mecanismo de penetración permite que la cuchilla penetre directamente en la pieza de trabajo. Simplemente levante la palanca de liberación cuando quiera bajar la cuchilla hacia la pieza de trabajo, como se observa en la Figura 2. Usted puede bajar la unidad hasta que alcance la posición predeterminada que usted marcó. Para asegurar la unidad en cualquier lugar a lo largo de

TABLA 1: SELECCION DE VELOCIDADES**RECOMENDACION PARA LA SELECCION CORRECTA DE VELOCIDAD**

Material	Posiciones del control electrónico				
	Paso 1 8000 rpm	Paso 2 12000 rpm	Paso 3 16000 rpm	Paso 4 18000 rpm	Paso 5 20000 rpm
Madera dura, p.e. encino					
Chico 13 mm (1/2")	-	-	O	X	XX
Med. 13-28 mm (1/2"-1 1/8")	-	-	O	XX	X
Grande más de 28 mm (1 1/8")	X	XX	O	-	-
Madera suave, p.e. pino					
Chico 13 mm (1/2")	-	-	O	X	XX
Med. 13-28 mm (1/2"-1 1/8")-	O	X	XX	XX	
Grande más de 28 mm (1 1/8")	X	XX	O	O	-
Aglomerado con laminado plástico					
Chico 13 mm (1/2")	-	-	O	X	XX
Med. 13-28 mm (1/2"-1 1/8")-	O	X	XX	XX	
Grande más de 28 mm (1 1/8")	O	XX	X	O	-
Plásticos					
Chico 13 mm (1/2")	-	O	X	X	XX
Mediano 13-28 mm (1/2"-1 1/8")	-	O	XX	XX	X
Grande más de 28 mm (1 1/8")	X	XX	O	-	-

Use esta tabla exclusivamente como guía, ya que la madera es un material vivo. Aún en maderas de la misma especie habrá diferencias importantes en cuanto a dureza y densidad. Cuando emplee una velocidad alta, coloque el control de velocidad en un paso más alto.

CLAVE: XX muy buena X buena O satisfactoria - no se recomienda



la carrera vertical, oprima la palanca.

VARILLA DE TOPE DE ALTURA Y ANILLO DE TOPE DE ALTURA

Como sus nombres lo implican, la varilla y el anillo de tope de altura limitan la altura a la que la unidad puede viajar en los rieles. El sistema es ajustable desde lo más bajo, en donde la unidad no puede levantarse sin importar la posición de la palanca de liberación del mecanismo de penetración, hasta la altura máxima, en que la boquilla queda a 73 mm (2-7/8") de distancia de la pieza de trabajo (observe la Figura 4).

Para su comodidad, el anillo de paro de profundidad está equipado con un botón de liberación rápida que le permite desligarse de la cuerda para posicionarlo rápidamente al oprimir el botón que se encuentra a un lado del anillo.

NOTA: es más fácil mover el anillo de paro de profundidad hacia ARRIBA si la palanca de liberación del mecanismo de penetración está asegurada, y viceversa.

SISTEMA DE PARO DE TORRETA DE POSICIONES MÚLTIPLES

Este sistema limita la distancia de recorrido hacia abajo de la herramienta. Consiste de tres tornillos de diferentes longitudes que permiten definir la profundidad de corte al limitar la carrera de la varilla de control de profundidad (Figura 5). La profundidad de corte puede ajustarse al seleccionar el tornillo de la longitud deseada en la torreta. La torreta se puede girar y cuenta con posiciones predeterminadas para alinear correctamente los tornillos.

La interacción de la varilla de control de profundidad y el mecanismo de posiciones múltiples determina la profundidad de rebajado.

En el caso de que ninguno de los tornillos se aproxime a la profundidad deseada, cada uno puede ser ajustado aflojando la tuerca hexagonal que se encuentra en la parte inferior, y girando a continuación el tornillo en cualquier sentido hasta lograr la longitud requerida. Después de ajustar este tornillo, asegúrese de apretar la

tuerca hexagonal de la parte inferior. (Observe la Figura 6.)

Vea las instrucciones necesarias para operar el mecanismo de paro de torreta en la sección "Ajuste de la profundidad de corte".

BARRA DE TOPE DE PROFUNDIDAD Y ESCALA VERNIER

La barra de tope de profundidad es la parte que hace contacto con el tornillo en el mecanismo de posiciones múltiples para limitar la profundidad del corte. En la parte inferior de esta barra se encuentra un vástago con cuerda, un resorte y una perilla moleteada, como se observa en la Figura 7.

Su unidad también cuenta con una escala Vernier para los ajustes extremadamente preciso en la profundidad de corte.

Lea en la sección "Ajuste de la profundidad de corte", las instrucciones para usar la barra de tope de profundidad y la escala Vernier en una operación real.

Conozca su herramienta

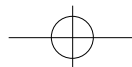
Por favor, tómese un poco de tiempo, y sin conectar la rebajadora, practique con estos controles y familiarícese con su operación. Solamente con un entendimiento completo de estos sistemas usted será capaz de obtener el máximo de esta herramienta de calidad.

Ajuste de la profundidad de corte

(APAGUE Y DESCONECTE LA REBAJADORA)

Siga los pasos mencionados a continuación para fijar la profundidad de corte:

1. Instale la cuchilla deseada como se describió anteriormente.
2. Coloque el anillo de tope de altura en la parte superior de la varilla de tope de altura (Figura 4). Usted puede girar la perilla o accionar el botón de liberación rápida como se discutió anteriormente.
3. Ajuste la barra de tope de profundidad en la parte superior de su carrera girando la perilla de paro de profundidad, mostrada en la Figura 9.
4. Gire el mecanismo de torreta hasta que el más corto de los tres



tornillos esté directamente por debajo de la barra de tope de profundidad.

5. Levante la palanca del mecanismo de penetración y empuje la rebajadora hacia abajo hasta que la cuchilla toque apenas la superficie de trabajo.
6. Baje la barra de tope de profundidad hasta que la perilla moleteada haga contacto con el tornillo del mecanismo de torreta que acaba de ajustar.
7. Suba o baje el Vernier de plástico para alinear la línea grabada con la marca del 0 en la escala graduada, como se observa en la Figura 8.
8. Con la perilla de control del tope profundidad, suba la barra y haga coincidir la marca deseada en la escala graduada con la línea graduada del Vernier, como se observa en la Figura 9. (La escala está graduada en 16avos de pulgada.)
9. Apriete el seguro de la barra de tope de profundidad.
10. La rebajadora está lista ahora para cortar a la profundidad preestablecida después de penetrar la pieza de trabajo.

Ajuste fino de la profundidad de corte

APAGUE Y DESCONECTE LA REBAJADORA.

Si necesita hacer algún pequeño ajuste después de fijar la profundidad de corte, no es necesario volver a realizar todo el procedimiento para hacer el ajuste. Los ajustes menores se pueden hacer fácilmente girando la perilla moleteada que se encuentra en la parte inferior de la barra de tope de profundidad, como se muestra en la Figura 8.

Al girar la perilla en el sentido de las manecillas del reloj (viendo hacia abajo desde la parte superior de la rebajadora) se obtendrá un corte menos profundo. Al girar la perilla en sentido contrario a las manecillas del reloj, se obtendrá un corte más profundo. Un giro completo de la perilla representa aproximadamente 1 mm de ajuste en la profundidad.

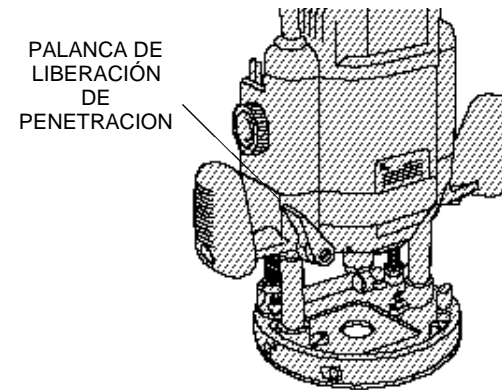


FIG. 2

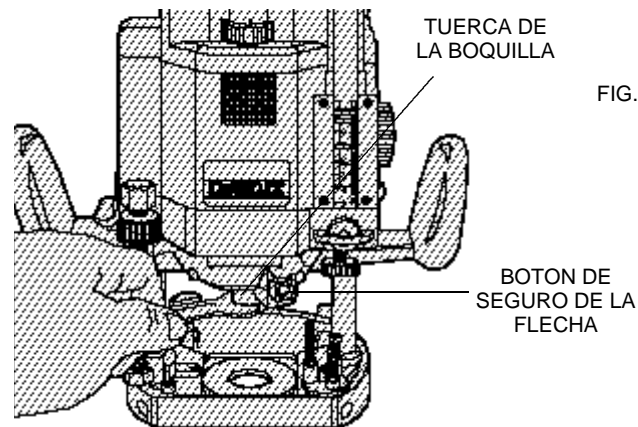


FIG. 3

FIG. 4

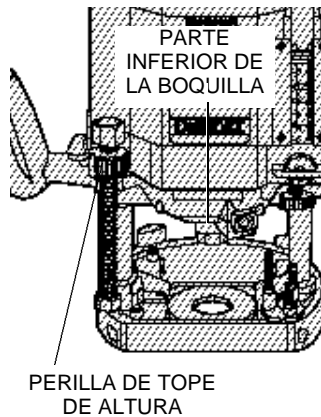


FIG. 5

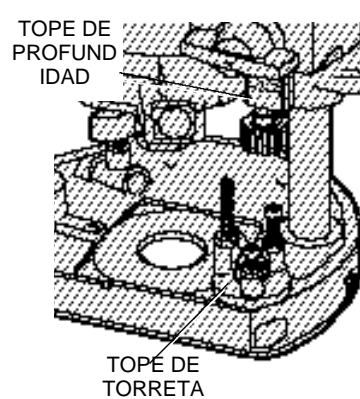


FIG. 6

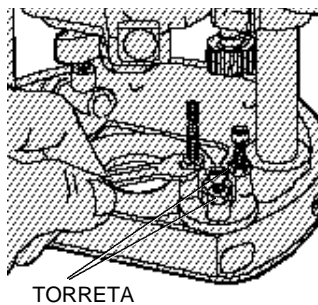
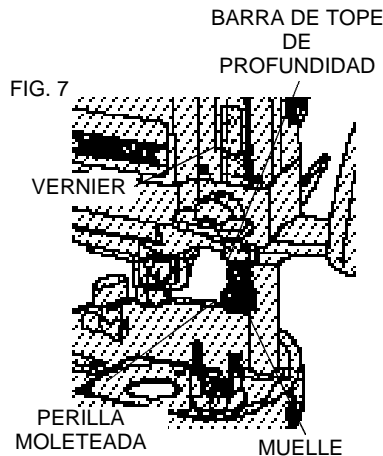


FIG. 7



Uso del mecanismo de torreta para ajustes secuenciales de la profundidad de corte

APAGUE Y DESCONECTE LA REBAJADORA.

Se recomienda que los cortes particularmente profundos se realicen en varias pasadas. Para poder lograr esto, y conservar la precisión en la profundidad cuando se ha terminado el trabajo, realice el siguiente procedimiento:

1. Fije la profundidad de corte final como se mencionó anteriormente. Como ejemplo, asuma que la profundidad deseada es de 13 mm (1/2").
2. Después de ajustar la profundidad a 13 mm (1/2") en el tornillo más corto, ajuste el segundo tornillo por orden de longitud hasta un punto a medio camino entre la parte inferior de la perilla moleteada y la parte superior del tornillo corto, como se indica en la Figura 10.
3. Deje la medición de la escala y gire el segundo tornillo una vez ajustado hasta su posición debajo de la barra de tope.
4. Haga el primer corte en este ajuste.
5. Gire el mecanismo de torreta para que el tornillo más corto quede directamente por debajo de la barra tope de profundidad y realice el corte final.

NOTA: El tercer tornillo en el tope de torreta sirve por si usted desea hacer cortes aún más profundos y necesita hacer tres cortes para alcanzar la profundidad final, o ajustar la profundidad final para cortes múltiples a una pasada.

Operación

Después de fijar la profundidad de corte, coloque la rebajadora de modo que la cuchilla quede exactamente arriba del sitio en que desea cortar. Una vez que la rebajadora está en funcionamiento, baje la unidad suavemente hasta la pieza de trabajo. (HAGA ESTE MOVIMIENTO SIN ATASCAR LA REBAJADORA.) Cuando la rebajadora alcance la posición de profundidad preestablecida,

apriete la palanca del seguro de penetración y permita que el muelle levante a la unidad directamente hacia afuera de la pieza de trabajo.

Se pueden efectuar todas las tareas de rebajado comunes con gran facilidad con la rebajadora: Acanalar, achaflanar, abocardar, biselar, perfilar, etc., en todos los tipos de maderas y plásticos.

Siempre alimente la rebajadora en sentido opuesto a la dirección del giro de la cuchilla.

Solamente deberán usarse cuchillas con filo de carburo en paneles enchapados con laminados plásticos. Los laminados duros eliminan rápidamente el filo de las cuchillas de acero.

Su centro de servicio autorizado DeWALT tiene a su disposición, con costo extra, un manual para trabajos con rebajadora, que abarca el uso de las rebajadoras con gran detalle y muestra los diferentes tipos de cuchillas existentes.

Dirección de alimentación (Fig. 12)

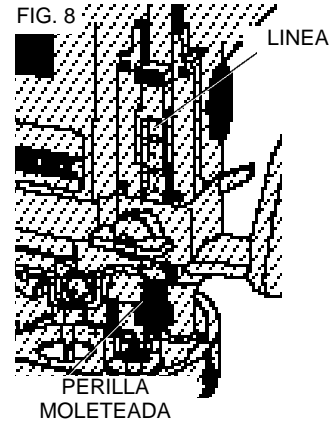
La dirección de alimentación es fundamental en el rebajado y puede hacer la diferencia entre un trabajo exitoso y un proyecto arruinado. Las figuras 11 y 12 muestran la dirección de alimentación apropiada para algunos tipos de corte básicos.

Recorte el borde exterior de una pieza de desperdicio de la siguiente manera: (a), rebaje al final del hilo, de izquierda a derecha, (b) recorte al hilo de izquierda a derecha, (c) rebaje el otro extremo del hilo, y (d) corte el otro lado de la parte que corre al hilo.

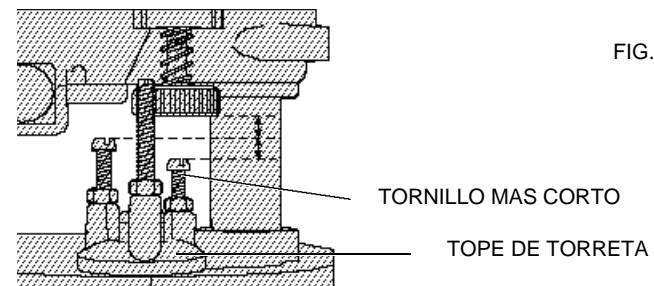
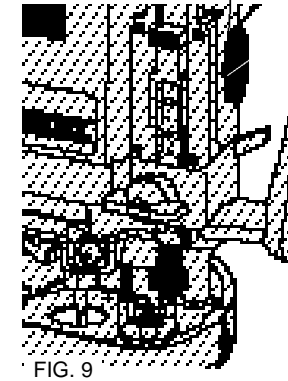
El sentido de alimentación es muy importante en el manejo de las rebajadoras. Asegúrese que la cuchilla esté girando en contacto con la pieza moviendo de izquierda a derecha en los bordes exteriores y en el sentido de las manecillas del reloj en el caso de cortes interiores.

Uso de la guía paralela (Fig. 15)

Se suministra una guía paralela con su herramienta para aumentar su versatilidad. Ensamble la guía como se muestra en la Figura 14. Cuando esté completamente ensamblada, inserte las dos barras a



PERILLA DE CONTROL DE TOPE DE PROFUNDIDAD



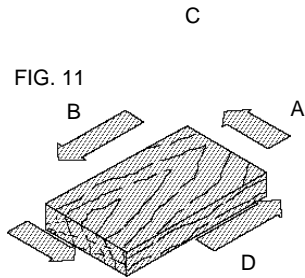


FIG. 11

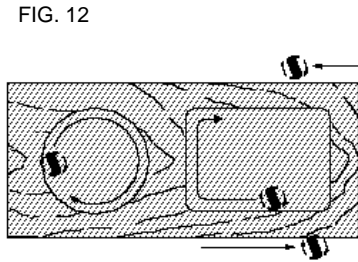


FIG. 12

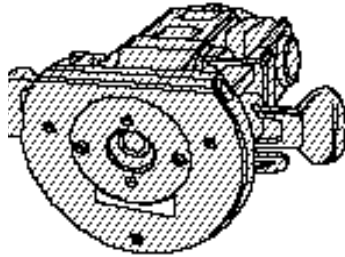


FIG. 13
REBAJADORA USANDO
PLANTILLA Y BUJE GUIA

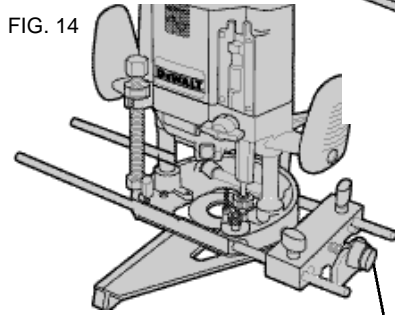


FIG. 14

PERILLA DE AJUSTE FINO

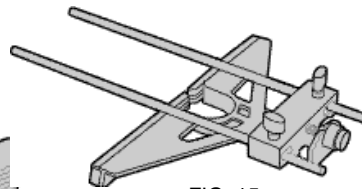
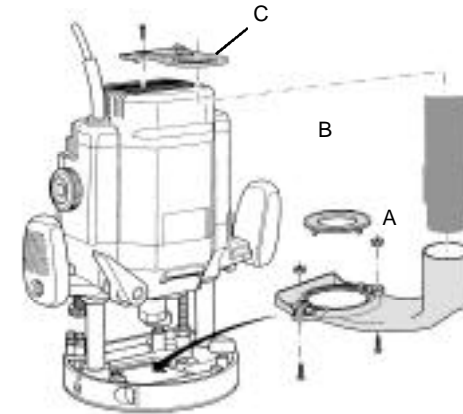


FIG. 15

FIG. 16



través de los orificios en la base de la rebajadora como se ilustra (Fig. 14). Ajuste como sea necesario para corte paralelo.

La guía se ajusta a la cuchilla. En algunos casos, los deslizadores de plástico de la guía interferirán con la cuchilla si no se aflojan y se mueven hacia atrás para proporcionar mayor espacio. Simplemente afloje los dos tornillos a cada deslizador y ajuste como se requiera.

Se incluye un dispositivo de ajuste fino en la guía paralela y se opera girando la perilla, ilustrada por la Figura 14. Gire la perilla en el sentido de las manecillas del reloj para acercar la guía (a la cuchilla). Gire la perilla en sentido opuesto a las manecillas del reloj para alejar la guía de la cuchilla.

Adaptador para plantillas

Su rebajadora está equipada con un adaptador para plantillas y dos tornillos de montaje. Guarde estos artículos en un lugar seguro.

Conexión a un extractor de polvo (Fig. 16)

El adaptador para extractor de polvo consiste en el cuerpo (A), la

cubierta (B) y la guía para la manguera (C). Ensamble de la siguiente manera:

1. Deslice la cubierta sobre el cuerpo principal y deje que se ajuste en su sitio.
2. Conecte una manguera para extracción de polvo a la toma.
3. Afloje el tornillo que se encuentra en la cubierta superior de la rebajadora y asegure la guía de la manguera en posición.

Accesorios

Los accesorios recomendados para emplearse con su herramienta están a su disposición con costo extra con el centro de servicio de su localidad. Se incluye una lista completa de los centros de servicio en la tarjeta de registro del propietario que viene empacada con su herramienta.

Si necesita ayuda para encontrar algún accesorio, por favor comuníquese a DeWALT Industrial Tool Co., 701 East Joppa Road, Baltimore, MD 21286, o llame al 1-800-4-DeWALT (1-800-433-9258).

PRECAUCION: El empleo de cualquier accesorio no recomendado para emplearse con esta herramienta puede ser peligroso.

Importante

Para garantizar la SEGURIDAD y la CONFIABILIDAD del producto, las reparaciones, el mantenimiento y los ajustes (inclusive inspección y cambio de carbones) deberán efectuarse en centros de servicio autorizado u otras organizaciones de servicio calificado que utilicen siempre refacciones idénticas.

Garantía Completa

Las herramientas industriales DeWALT están garantizadas durante un año a partir de la fecha de compra. Repararemos, sin cargos, cualquier falla debida a material o mano de obra defectuosos. Para obtener información sobre reparaciones, llame al teléfono 1-800-4-DeWALT. Esta garantía no se aplica a los accesorios ni a daños

causados por reparaciones efectuadas por terceras personas. Esta garantía le otorga derechos legales específicos, y usted puede tener otros derechos que pueden variar de en ciertos estados o provincias.

En adición a la garantía, las herramientas DeWALT están amparadas por nuestra:

GARANTIA DE SATISFACCION SIN RIESGO POR 30 DIAS

Si usted no se encuentra completamente satisfecho con el desempeño de su herramienta industrial DeWALT, sencillamente devuélvala a los vendedores participantes durante los primeros 30 días después de la fecha de compra para que le efectúen un reembolso completo. Por favor regrese la unidad completa, con el transporte pagado. Se puede requerir prueba de compra.